



**PROECO**  
PRODUCTS

# PV-1 POND VACUUM

## Instruction Manual



ProEco Products  
450 Conn Road RR4  
Lumby, BC Canada V0E 2G4

[www.proecoproducts.com](http://www.proecoproducts.com)  
PH: 1-866-440-8121  
FAX: 1-866-297-9594

## IMPORTANT SAFETY INSTRUCTIONS

Read all instructions before using this product. When using an electrical appliance, basic precautions should be observed, including the following:

### ⚠ WARNING:

- Unplug from outlet when not in use and before cleaning or maintenance.
- Do not operate with a damaged power cord.
- Do not pull or carry the product by the power cord.
- If the power cord is damaged it must be repaired by a qualified repair station.
- Use the product only for its intended use.
- Close attention is necessary when used by or near children.
- Store product in a dry place when not in use.
- Only connect unit to a properly grounded outlet (See Grounding Instructions).
- Do not vacuum up flammable or combustible materials or use in the presence of explosive liquids or vapors.
- Do not vacuum up any dirt or dust that is a health hazard.
- Use only manufacturer's attachments and spare parts.
- Clean the product after use.

### Grounding Instructions

This product must be connected to a grounded wiring system. If it should breakdown or malfunction, grounding provides a safe path of least resistance for electrical current, reducing the risk of electrical shock. The cord for this unit has an equipment-grounding conductor and a grounding plug. It must be plugged into an outlet that is properly installed and grounded in accordance with all local codes and ordinances. Improper connection of the equipment-grounding conductor can result in electrical shock. Check with a qualified electrician if you are unsure if the outlet is properly grounded. Do not modify the plug provided with the product or use any type of plug adapter.

## PV-1 POND VACUUM



1. Carrying Handle
2. Power Switch
3. Suction Hose Opening
4. Tank
5. Handle
6. Lid Clasp
7. Drain Hose Opening
8. Drain Hose
9. Suction Hose
10. HEPA Filter
11. Sponge Filter
12. Extension Tubes
13. Flat Surface Attachment
14. Large Suction Attachment
15. Crevice Attachment
16. Vacuum Base
17. Wheel

## ASSEMBLY

1. Detach the Lid Clasps (6), remove vacuum lid from the tank and remove all loose parts from inside the vacuum.
2. Attach Wheels (17) to Vacuum Base (16).
3. Install Sponge Filter (11) to the intake of the vacuum.
4. Reinstall the Vacuum lid to the tank and reattach the Lid Clasps (6)
5. Install the Suction Hose (9) into the Suction Hose Opening (3)
6. Install the Drain Hose (8) into the Drain Hose Opening (7).

**IMPORTANT: The Drain Hose (8) has an open end and a flapper valve end. The open end must be inserted into the vacuum. If the end of the hose with the flapper valve is inserted into the vacuum the unit will not function properly.**

7. Attach the desired Extension Tubes (12) and Attachments (13,14,15)

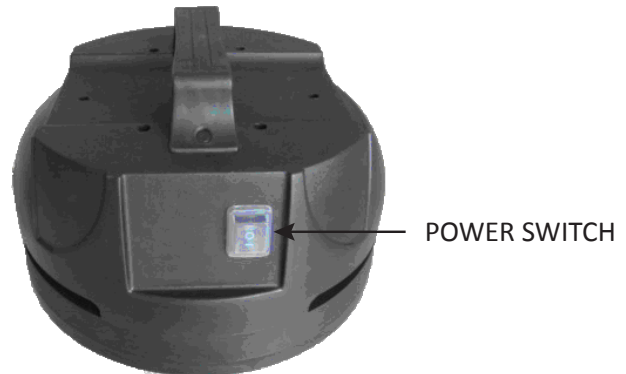
NOTE: For use as a Dry vacuum install the HEPA filter to the intake of the vacuum in step 3 and install the drain plug instead of the drain hose.

## POND VACUUM OPERATION

1. Plug in the power cord
2. Position the drain hose of the vacuum so that it will drain into a flower bed or other drain area.

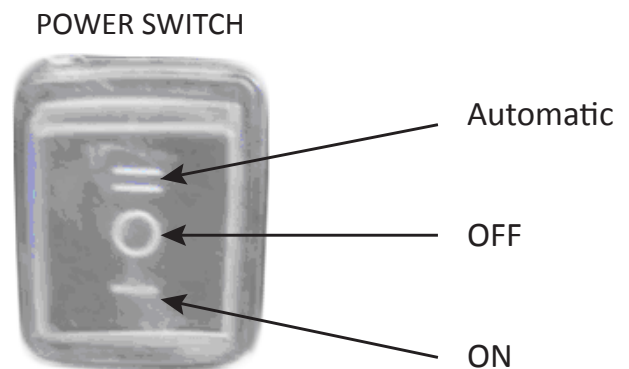
**IMPORTANT: The drain hose and drain hose outlet must be lower than the drain hose opening on the vacuum and the drain hose must be sloped down from the vacuum to insure that the unit will drain properly.**

3. Turn on the vacuum by setting the Power Switch (2) to the upper Automatic position and begin vacuuming the pond. The tank will fill and automatically shut off to allow the accumulated waste in the vacuum to drain. After a 30 second delay the unit will automatically turn on again and vacuuming can resume.
4. Once vacuuming is completed turn off the vacuum by setting the Power Switch (2) to the center OFF position.



## DRY VACUUM OPERATION

1. Plug in the power cord
2. Turn on the vacuum by setting the Power Switch (2) to the lower ON position and begin vacuuming.
3. Once vacuuming is completed turn off the vacuum by setting Power Switch (2) to the center OFF position.

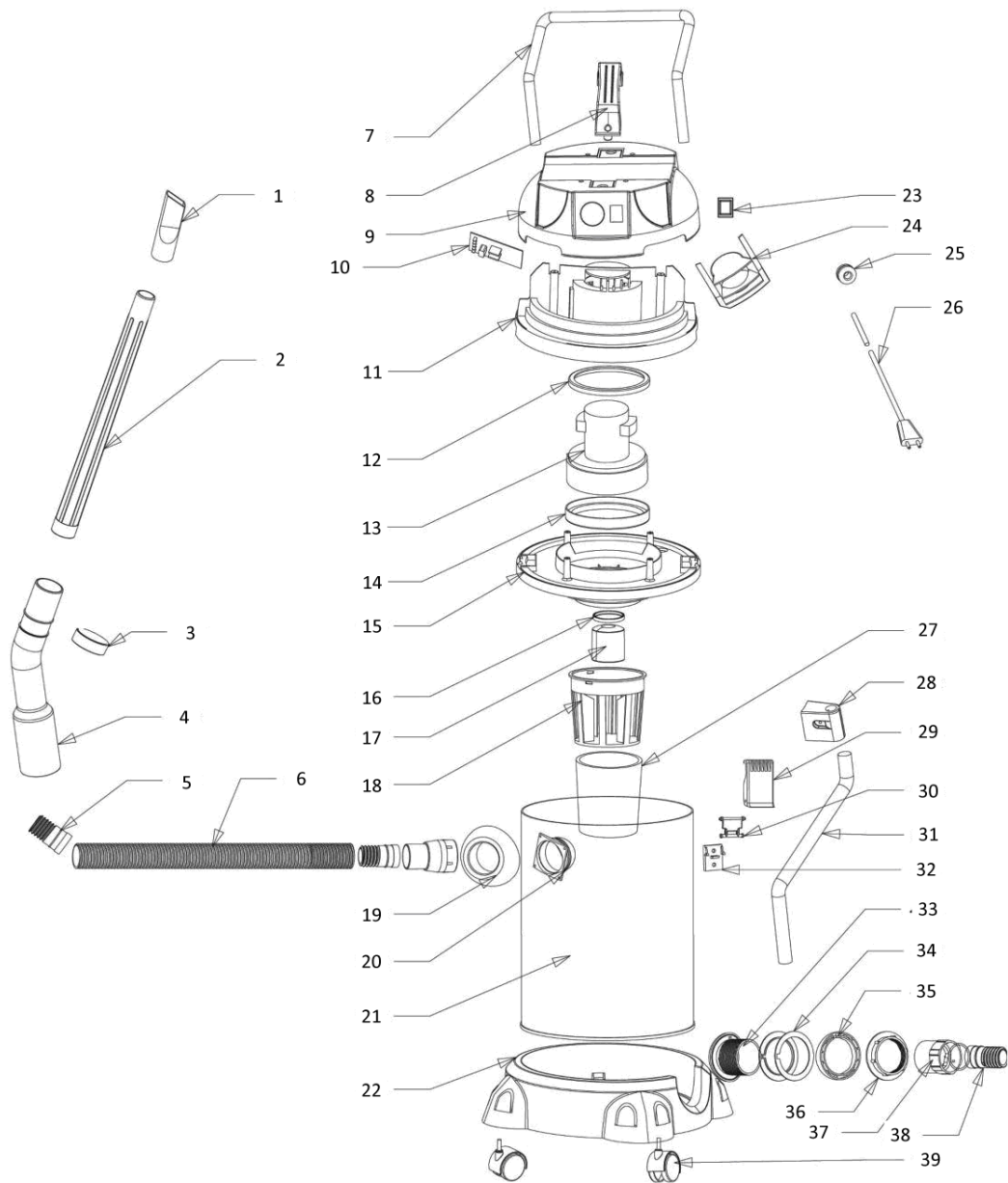


## MAINTENANCE AND CLEANING

1. Turn off the vacuum by setting Power Switch (2) to the center OFF position.
2. Unplug the power cord.
3. Detach and clean the Suction (9) and Drain (8) hoses.
4. Detach the Lid Clasps (6)
5. Remove lid.
6. Remove and rinse out the Sponge filter (11)
7. Rinse out the tank (4).
8. Replace the Sponge filter (11) and reinstall the lid.
9. Store in a dry place when not in use.

## PARTS LIST

1. Nozzle attachment
2. Extension tube
3. Suction control
4. Suction hose handle
5. Hose connector
6. Suction hose
7. Upper handle
8. Carrying handle
9. Upper lid assembly
10. Control module
11. Middle lid assembly
12. Upper gasket
13. Motor
14. Lower gasket
15. Lower lid assembly
16. Safety valve gasket
17. Safety valve
18. Filter basket
19. Suction inlet
20. Safety seal
21. Tank
22. Base
23. Switch
24. Motor outlet
25. Cord sheath
26. Power cord
27. Sponge filter
28. Handle frame
29. Lid Clasp
30. Clasp connector
31. Lower handle
32. Clasp mount
33. Drain fitting
34. Drain gaskets
35. Drain washer
36. Drain connector
37. Drain seal
38. Drain hose core
39. Wheel



### Limited Warranty

This PROECO PRODUCT is covered by a 2-year limited warranty by PROECO PRODUCTS. The limited warranty period begins from the date of purchase and covers material and manufacturing defects or failure of the product to operate as specified by PROECO PRODUCTS during the duration of the limited warranty period.

This limited warranty does not cover failure or problems related to:

- Improper installation, see this manual for proper installation procedures.
- Modification of the product in any way including attempts to repair the product by someone other than a PROECO PRODUCTS trained and authorized repair technician.
- Failure to follow proper safety, care and maintenance guidelines as outlined in this manual.

It also does not cover those parts of the product that are subject to normal wear and tear during usage of the product, such as:

- Impellers on pumps
- Filter pads and filter medium in filters
- Lamps in lights and UV clarifiers

PROECO PRODUCTS's sole liability shall be to replace or repair the product covered by this limited warranty. PROECO PRODUCTS shall not be liable for any consequential damage to any other part of the water garden, pond, water feature, landscape, structure, or the contents of any structure where the product is located or used including no liability for damage or harm to fish, animals, or plants in or around the water garden, pond or water feature.

THE EXPRESS WARRANTIES SET FORTH HEREIN ARE THE ONLY WARRANTIES WITH RESPECT TO THE PRODUCTS, AND THE REMEDIES SET FORTH HEREIN ARE THE EXCLUSIVE REMEDIES IN THE EVENT OF A BREACH OF SUCH WARRANTIES. PROECO PRODUCTS EXPRESSLY DISCLAIMS ANY IMPLIED WARRANTY OF MERCHANTABILITY OR FITNESS FOR A PARTICULAR PURPOSE. PROECO PRODUCTS SHALL NOT BE LIABLE UNDER ANY CIRCUMSTANCES FOR INCIDENTAL OR CONSEQUENTIAL DAMAGES OF ANY NATURE, FOR ANY BREACH OF SUCH WARRANTIES OR OTHERWISE. Some states do not allow the exclusion or limitation of incidental or consequential damages, to the above limitation may not apply to you.

Should your PROECO PRODUCTS product be defective or fail under the terms of this limited warranty, you should return the product to your PROECO PRODUCTS dealer, along with your original receipt of purchase and any other limited warranty documentation you have, for replacement or repair. Should you have any question about this limited warranty, please contact PROECO PRODUCTS at [info@proecoproducts.com](mailto:info@proecoproducts.com)